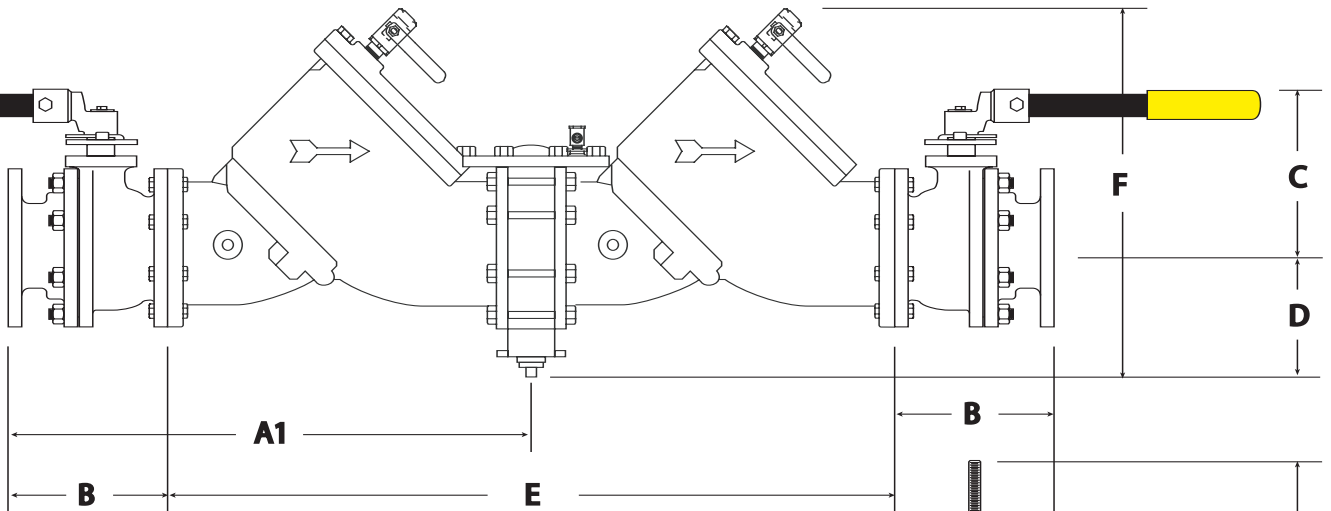
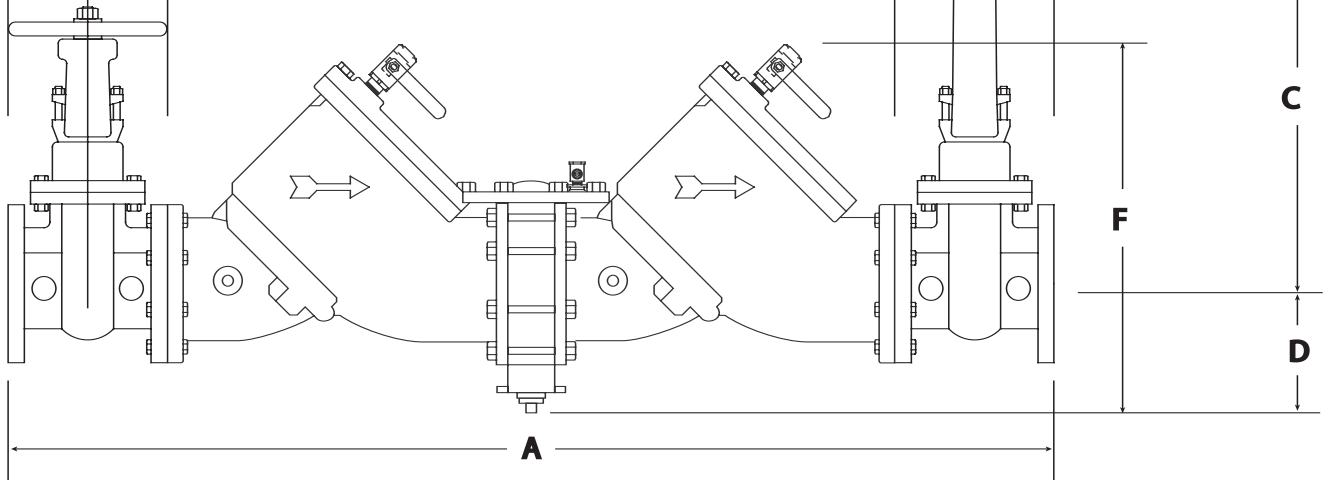


WATTS 909 Backflow Preventer Assembly with Quality Certified Valve's C8000 Ball Valve with Teflon®-Fused Ductile Iron Ball

WATTS 909 Backflow Preventer w/QC Ball Valves



WATTS 909 w/Gate Valves



SIZE (Dn)	A	A1	B	QC	OSY	NRS	D	E	F
2 1/2	41 1/4	20 5/8	7 1/2	7	16 3/8	9 3/8	5 1/4	26 1/8	11
3	42 1/4	21 1/4	8	7 1/2	18 7/8	10 1/4	5 1/4	26 1/8	11
4	55 1/8	27 5/8	9	8 1/2	22 3/4	12 3/16	6	37	14
6	65 1/2	32 3/4	10 1/2	13	30 1/8	16	6	44 1/2	16

All other dimensions Remain the Same



SIZE (Dn)	WEIGHT (Lbs)		
	QC	OSY	NRS
2 1/2	190	198	195
3	200	230	225
4	366	470	455
6	788	798	718



SPECIFICATIONS

- A126 Class B Cast-Iron Body with FDA food-grade epoxy powder coating
- Engineered to replace Class 125 Iron Gate Valves and Class 150 Plug Valves
- Teflon® Fused Ductile Iron Ball
- Stainless Steel Blow-out Proof Stem
- Reinforced Teflon® Seats
- End-to-End and Flanged Dimensions Conform to ANSI Standard B16.10 which Exactly Match Face-to-Face Dimensions of Cast Iron Gate Valves and Plug Valves
- Can be Locked in Full Open or Closed Positions
- ISO5211 Actuating Mounting Pad

SPECIFICATIONS:

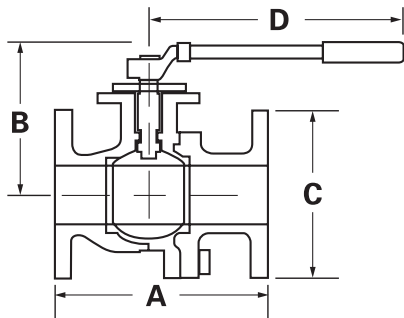
MSS SP-72
ANSI B16.10
FED. SPEC. WW-V-35
AWWA C507-99 Proof of Design Test
ANSI/NSF 61-8 / California Prop. 65
Tested to API 598

RATING:

125 psi WSP
200 psi WOG
353° F

PART	MATERIAL
Body	Cast Iron/A126 Class B
Ball	Ductile Iron/Teflon® Fused
Stem	Stainless Steel
Gland Plate	Steel
Handle	Steel
Handle Bracket	Ductile Iron
Packing Follower	Stainless Steel
Stem Indicator	Steel
Handle Bracket Clip	Steel
Stem Stud	Carbon Steel
Gland Stud	Carbon Steel
Body Stud	Carbon Steel
Body Nut	Carbon Steel
Handle Bracket Bolt	Carbon Steel
Packing	PTFE (Chevron)
Body Gasket	PTFE
Seat Ring	RPTFE 15% GF
Handle Grip	Vinyl Rubber Foam

Teflon® is a registered trademark of DuPont.



DIMENSIONS	2	2 1/2	3	4	6
A End to End	7	7 1/2	8	9	10 1/2
B Center of Port to Top	5 1/2	7	7 1/2	8 1/2	13
C Flange Diameter	6	7	7 1/2	9	11
D Center of Valve to Handle End	12	13 1/2	13 1/2	15 1/2	30
Port Diameter	2	2 1/2	3	4	6
Bolt Holes	4	4	4	8	8
Weight lbs.	24	40	51	82	144
CV*	500	750	1245	2500	5470

*CV Coefficient is defined as the flow of water in gallons per minute with a pressure drop of 1 psi across the valve.

Dimensions and weights are given as approximates; consult factory for details.



407.324.4035 • 888.484.4030 • Fx: 407.324.8105

qcvalve.com • 1101 Cornwall Road • Sanford, FL 32773